

# FLI-1200 Series

**RISC-based industrial auto-configuration server appliances,  
2 PoE LANs with M12 connectors**



- > Marvell 1.0 GHz processor
- > 512 MB of DDRII memory built in
- > 2 10/100 Mbps Ethernet ports for network redundancy
- > Compliant with essential sections of EN 50155\*
- > IEC 61373 certified for shock and vibration resistance

\*Moxa defines "essential compliance" to include those EN 50155 requirements that make products more suitable for rolling stock railway applications.



## Overview

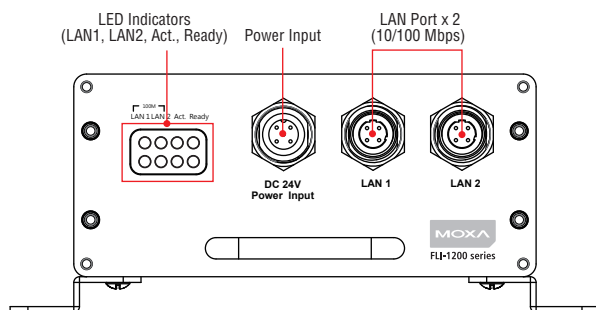
Moxa's FLI-1200 is an industrial auto-configuration server appliance designed to automatically configure and monitor various Moxa products in harsh industrial environments.

The FLI-1200 has a fanless, thermally efficient, dust- and water-protected IP54-rated chassis. The sealed enclosure protects the internal components from dust and splashed water, and is compliant with the EN 50155 standard, covering operating temperature, power input voltage, power surges, ESD, and vibration, ensuring that the FLI-1200 can operate reliably under extreme environments for rolling stock applications.

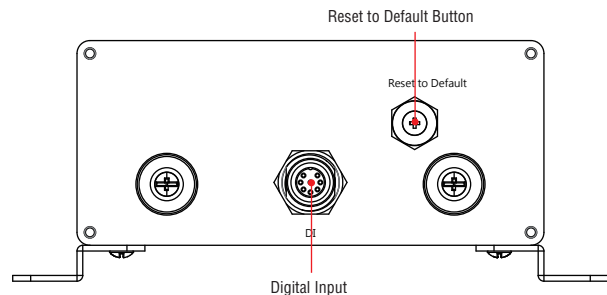
The FLI-1200 comes with Moxa's FLI technology, which ensures that the replacement or deployment of any Moxa device will not affect the existing architecture, and eliminates the need to perform manual reentry or reconfiguration. With its web-based interface, users can easily manage the system and monitor the status of any device being controlled by the FLI-1200. In addition, its reliable and robust design ensures that when the primary FLI server is offline, the backup server will take over to keep the auto-configuration functionality up and running. With the FLI-1200, users can maintain Moxa's products more efficiently, and realize a considerable reduction in maintenance costs and human error.

## Appearance

### Front View

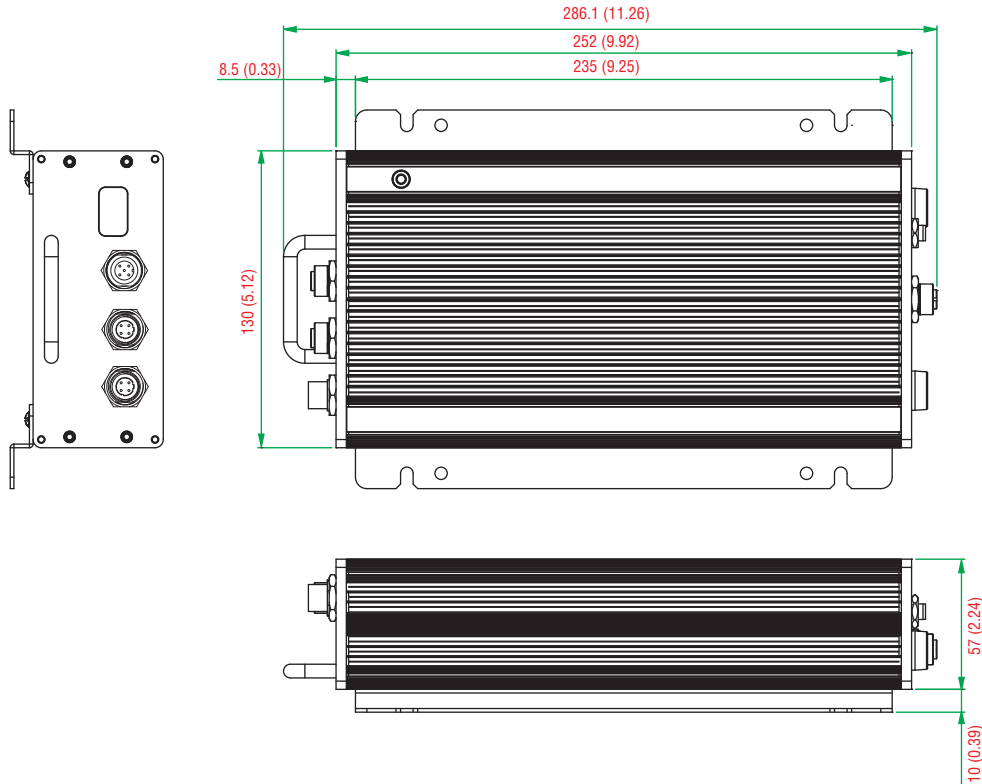


### Rear View



## Dimensions

Unit: mm (inch)



## Specifications

### Computer

**CPU:** Marvell 1.0 GHz 88F6281

**DRAM:** 512 MB DDRII

**Flash Memory:** Onboard 2 GB USB DOM to store OS

### Digital Input

**Input Channels:** 2, source type

**Input Voltage:** 0 to 30 VDC at 25 Hz

**Digital Input Levels for Dry Contacts:**

- Logic level 0: Close to GND
- Logic level 1: Open

**Digital Input Levels for Wet Contacts:**

- Logic level 0: +3 V max.
- Logic level 1: +10 V to +30 V (COM to DI)

**Connector Type:** M12 A-coded female

**Isolation:** 3 kV optical isolation

### Ethernet Interface

**LAN:** 2 auto-sensing 10/100 Mbps ports (M12 D-coded)

### LEDs

**System:** LAN1, LAN2, Act., Ready

**LAN:** 100M/Link x 2

### Physical Characteristics

**Housing:** Aluminum

**Weight:** 1.98 kg

**Dimensions:** 252 x 130 x 57 mm (9.92 x 5.12 x 2.24 in)

**Mounting:** Wall

**IP Rating:** IP54

### Environmental Limits

**Operating Temperature:** -40 to 70°C (-40 to 158°F)

**Storage Temperature:** -40 to 85°C (-40 to 185°F)

**Ambient Relative Humidity:** 5 to 95% (non-condensing)

**Anti-vibration:** EN 50155

**Anti-shock:** EN 50155

### Power Requirements

**Input:** PoE (IEEE 802.3af), PoE+ (IEEE 802.3at), or 24 VDC

**Power Consumption:**

- PoE: 14.4 W
- 24 VDC: 13.2 W

### Standards and Certifications

**Safety:** UL 60950-1

**EMC:** EN 55022 Class A, EN 61000-3-2, EN 61000-3-3, EN 55024

**Rail Traffic:** EN 50155, EN 50121-3-2, IEC 61373

**Green Product:** RoHS, CRoHS, WEEE

**EMI:** FCC Part 15 Subpart B Class A, CISPR 22:2008

### Warranty

**Warranty Period:** 5 years (storage drive not included)

**Details:** See [www.moxa.com/warranty](http://www.moxa.com/warranty)

**Note:** These hardware specifications describe the FLI-1200 unit itself, but not its recommended accessories. In particular, the wide temperature specification does not apply to accessories such as power adapters and cables.

## Ordering Information

### Available Models

**FLI-1260-CT-T:** Industrial auto-configuration server appliance with 2 10/100 M12 PoE/PoE+ LAN ports, -40 to 70°C operating temperature, conformal coating

**FLI-1260-T:** Industrial auto-configuration server appliance with 2 10/100 M12 PoE/PoE+ LAN ports, -40 to 70°C operating temperature

### Package Checklist

- 1 FLI-1260 server appliance
- Wall mounting kit
- Quick installation guide (printed)
- Warranty card