

MD-219 Series

19-inch type approved ECDIS marine display: 5:4 aspect ratio, 1280 x 1024 resolution



- > High quality 19" display, 5:4 format
- > LED backlight
- > Full range dimming, 0 to 100%
- > Color calibrated for ECDIS compliance
- > SavvyTouch™ controls
- > Built-in RS-232/422/485 interfaces
- > Dual-power supplies (AC & DC)
- > IP54 (front) / IP22 (rear) rated



Introduction

The MD-219 series of marine displays comes with full range dimming, wide viewing angles, and optional optical bonding. These displays are built with a small-profile modular design that allows easier integration into industrial marine systems, reducing deployment costs and overall time-to-market.

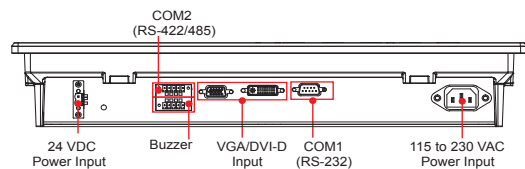
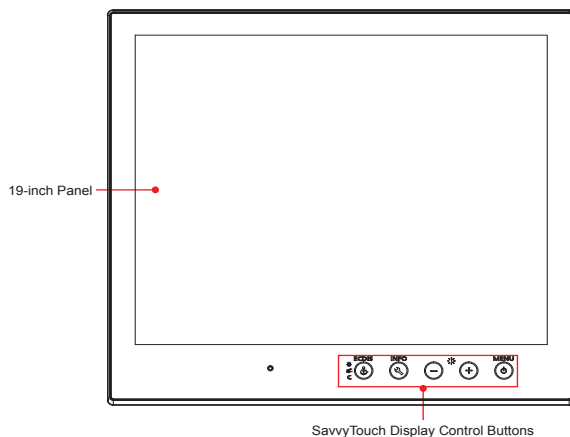
The innovative and user-friendly SavvyTouch display controls offer several unique features not found on any other marine display console: a proximity sensor for convenient adjustments in dark conditions, an info button for immediate updates on power status, and a quick-switch

to adjust between day, dusk, and night-time ECDIS modes (for color-calibrated ECDIS models only).

The MD-219 series displays are compliant with IEC 60945, DNV, and IACS E10, verifying their resilience and durability in maritime conditions. Their IP54 rated enclosure provides additional protection against dust and moisture above and beyond the limits established by these international standards bodies.

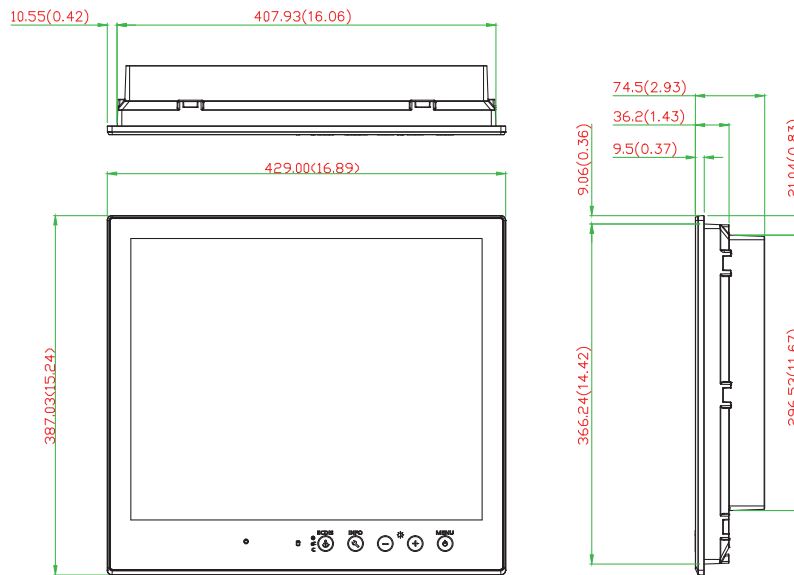
ECDIS-approved models are also available, offering an excellent HMI solution for ECDIS charting and navigation stations.

Appearance



Dimensions

Unit: mm (inch)



Specifications

Display

- Panel Size:** 19" viewable image size
- Panel Type:** MVA
- Aspect Ratio:** 5:4
- Pixels:** 1280 x 1024 (SXGA)
- Response Time:** 20 ms (gray to gray)
- Contrast Ratio:** 2000:1
- Light Intensity:** 300 cd/m²
- Viewing Angles:** 178°/178°
- Active Display Area:** 376.32 (H) x 301.06 (V) mm
- Max Colors:** 16.7M / 8-bit color
- Display Interface:** VGA input x 1, DVI-D input x 1
- Resolution:**
 - VGA: 640 x 480
 - SVGA: 800 x 600
 - XGA: 1024 x 768
 - SXGA: 1280 x 1024

Serial Interface

Serial Standards: 1 RS-232 port (DB9), 1 RS-422/485 port (terminal block)

Optical Isolation Protection: 4 kV

Serial Signals

- RS-232:** TxD, RxD, DTR, DSR, RTS, CTS, DCD, GND
- RS-422:** TxD+, TxD-, RxD+, RxD-, GND
- RS-485-2w:** Data+, Data-, GND

Front Panel

LEDs: MENU, brightness, INFO, ECDIS, Day/Dusk/Night
Smart OSD: Yes

Physical Characteristics

- Housing:** Aluminum sheet metal
- Weight:** 7.8 kg
- Dimensions:** 429 x 387 x 75 mm (16.89 x 15.24 x 2.95 in)
- Mounting:** VESA, panel, and desktop (temporary)

Environmental Limits

- Operating Temperature:** -15 to 55°C (5 to 131°F)
- Storage Temperature:** -20 to 60°C (-4 to 140°F)
- Ambient Relative Humidity:** 5 to 95% (non-condensing)

IP Rating:

- Front: IP54
- Rear: IP22

Anti-Vibration:

- 0.7 g @ DNV 2.4 (Class A), sine wave, 2-100 Hz, 1 Oct./min., 1.5 hr per axis
- 1 G_{rms} @ DNV 2.4, random wave, 3-100 Hz, 2.5 hr per axis
- 2.1 g @ DNV 2.4 (Class C), sine wave, 2-50 Hz, 1 Oct./min., 1.5 hr per axis

Power Requirements

- Input Voltage:** 115 to 230 VAC, 50/60 Hz, 24 VDC
- Power Consumption:** 40 W (max.)

Standards and Certifications

- Safety:** UL/cUL, CCC
- EMC:** EN 55022 Class B, EN 55024-4-2, EN 55024-4-3, EN 55024-4-4, FCC Part 15 Subpart B Class A
- Marine Standards:** IEC-60945 4th, IEC-61162, IEC-61174
- Marine Type Approval:** DNV 2.4 and IACS E10, ABS
- Green Product:** RoHS, cRoHS, WEEE

Warranty

- Warranty Period:** 1 year
- Details:** See www.moxa.com/warranty

We recommend taking the following precautions to minimize heat build-up within the display:

- Position the display within $\pm 40^\circ$ of the vertical.
- Install an external fan to increase airflow upwards through the display if (a) the display is not positioned within $\pm 40^\circ$ of the vertical, (b) the ambient temperature exceeds 25°C , or (c) the display is used in a location with minimal ventilation.

Important Safety Precaution:

Even though the display is rated to operate within the IEC 60945 standard of -15 to 55°C , it is best to ensure that the ambient temperature does not exceed 25°C . Doing so will increase the life of your display and minimize service costs.

Ordering Information

Available Models

MD-219X: 19-inch, 5:4 aspect ratio display (1280x1024), LED backlight, DVI-D/VGA, RS-232 and RS-422/485 serial ports, AC/DC dual power, tape bonding

MD-219Z: 19-inch, 5:4 aspect ratio display (1280x1024), projected capacitive multi-touch, LED backlight, DVI-D/VGA, RS-232 and RS-422/485 serial ports, AC/DC dual power, tape bonding

Package Checklist

- MD-219 display
- VGA cable
- DVI-D cable
- 2-pin terminal block x 1
- 5-pin terminal block x 2
- Documentation and software CD
- Quick installation guide (printed)
- Warranty card