

SFP-1FE Series

1-port fast Ethernet SFP modules



- > Compliant with IEEE 802.3u
- > Differential PECL inputs and outputs
- > TTL signal detect indicator
- > Hot pluggable LC duplex connector
- > Class 1 laser product; complies with EN60825-1



Specifications

Interface

Ethernet Ports: 1

Connectors: Duplex LC Connector

Optical Fiber

	Fast Ethernet		
	SFP-M	SFP-S	SFP-L
Wavelength	1300 nm	1310 nm	1550 nm
Max. TX	-18 dBm	0 dBm	0 dBm
Min. TX	-8 dBm	-5 dBm	-5 dBm
RX Sensitivity	-34 dBm	-34 dBm	-34 dBm
Link Budget	26 dB	29 dB	29 dB
Typical Distance	4 km ^a	40 km ^b	80 km ^b
Saturation	0 dBm	-3 dBm	-3 dBm

a. 50/125 μm or 62.5/125 μm, 800 MHz * km @ 1300 nm multi-mode fiber optic cable

b. 9/125 μm single-mode fiber optic cable

Environmental Limits

Operating Temperature: -40 to 85°C (-40 to 185°F)

Storage Temperature: -40 to 85°C (-40 to 185°F)

Ambient Relative Humidity: 5 to 95% (non-condensing)

Regulatory Approvals

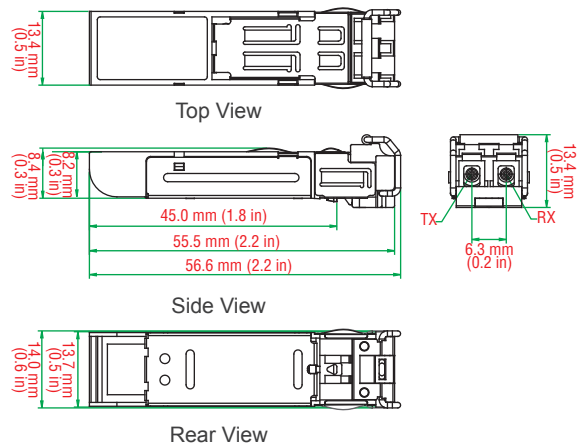
Safety: UL, TÜV

Warranty

Warranty Period: 3 years

Details: See www.moxa.com/warranty

Dimensions



Ordering Information

Available Models	Port Interface		
	100BaseFX, Multi-mode, LC Connector, 4 km	100BaseFX, Single-mode, LC Connector, 40 km	100BaseFX, Single-mode, LC Connector, 80 km
SFP-1FEMLC-T	1	-	-
SFP-1FESLC-T	-	1	-
SFP-1FELLC-T	-	-	1

The SFP-1FE series modules can be used with the following products

EDS-611/619 series: 8+3G/16+3G-port compact modular managed Ethernet switches

EDS-G509 series: 9G-port full Gigabit managed Ethernet switches

EDS-G308 series: 8G-port full Gigabit unmanaged Ethernet switches

EDS-P510 series: 7+3G-port Gigabit PoE managed Ethernet switches

IKS-6524-8SFP series: 24-port rackmount managed Ethernet switches

PT and IKS series: PM-7200-8SFP fast Ethernet interface modules

EDR-G903 series: Industrial Gigabit Firewall/VPN secure router